

BALDOR® • RELIANCE 

Product Information Packet

EM2571T-4

350HP,3570RPM,3PH,60HZ,449TS,DP,F1

Part Detail							
Revision:	A	Status:	PRD/A	Change #:		Proprietary:	No
Type:	AC	Elec. Spec:	A44WG4252	CD Diagram:	416820-008	Mfg Plant:	
Mech. Spec:		Layout:	604989-380	Poles:	02	Created Date:	05-06-2015
Base:		Eff. Date:	03-01-2017	Leads:	6#2 (02 per group)		

Specs			
Catalog Number:	EM2571T-4	Heater Indicator:	No Heater
Enclosure:	DP	Insulation Class:	F
Frame:	449TS	Inverter Code:	Inverter Ready
Frame Material:	Iron	IP Rating:	NONE
Output @ Frequency:	350.000 HP @ 60 HZ	KVA Code:	F
Synchronous Speed @ Frequency:	3600 RPM @ 60 HZ	Motor Lead Quantity/Wire Size:	12 @ 2 AWG
Voltage @ Frequency:	460.0 V @ 60 HZ	Motor Type:	A44112M
XP Class and Group:	None	Mounting Arrangement:	F1
XP Division:	Not Applicable	Power Factor:	90
Agency Approvals:	CCSA US	Product Family:	General Industrial
	CSA EEV	Pulley End Bearing Type:	Ball
Auxillary Box:	No Auxillary Box	Pulley Face Code:	Standard
Base Indicator:	Rigid	Shaft Ground Indicator:	No Shaft Grounding
Bearing Grease Type:	Polyrex EM (-20F +300F)	Shaft Rotation:	Reversible
Current @ Voltage:	380.000 A @ 460.0 V	Shaft Slinger Indicator:	No Slinger
Design Code:	B	Speed Code:	Single Speed
Drip Cover:	No Drip Cover	Motor Standards:	NEMA
Duty Rating:	CONT	Starting Method:	Wye Start - Delta Run

Feedback Device:	NO FEEDBACK	Thermal Device - Bearing:	None
		Thermal Device - Winding:	None

Nameplate NP2496L

MOBIL POLYREX EM

Nameplate NP2349L											
SPEC NO.	A44-7216-4252			CAT.NO.	EM2571T-4			FRAME	449TS		
HP	350	VOLTS	460	PHASE	3	DESIGN	B	TYPE	P		
RPM	3570	AMPS	380	HZ	60	AMB	40	SF	1.15		
DRIVE END BEARING	65BC03J30X			DUTY	CONT		INSUL.CLASS	F			
OPP D.E. BEARING	65BC03J30X			ENCL	DP		CODE	F			
SER.NO.				POWER FACTOR	90		NEMA-NOM-EFFICIENCY	95.4			
							MAX CORR KVAR	59.9		GUARANTEED EFFICIENCY	94.5
							NEMA NOM/CSA QUOTED EFF				
							MOTOR WEIGHT	2100			

Parts List		
Part Number	Description	Quantity
SA300248	SA A44-7216-4252	1.000 EA
RA287298	RA A44-7216-4252	1.000 EA
421948044	LABEL, MYLAR	1.000 EA
NP2496L	MOTOR LUBE NAMEPLATE	1.000 EA
000613006PU	N/P (RELEASE QTY 10,000) UL CSA LABEL	1.000 EA
000692000FF	N/P	1.000 EA
000692000VD	LABEL WARNING	1.000 EA
NP2349L	SUPER-E ,SS, CSA, CSA SUPER-E	1.000 EA
702611001A	BAFFL 440 SUB PAINT	1.000 EA
089438082A	BRKT 440 089438081WCB	1.000 EA
032018028EK	HHCS 5/8-11X3-1/2L PLTD	4.000 EA
032018028CK	HHCS 3/8-16X3-1/2 PLTD.	3.000 EA
410700004F	WSHR	1.000 EA
035000001G	GREASE RELIEF FITTING, ALEMITE 317400	1.000 EA
035000001G	GREASE RELIEF FITTING, ALEMITE 317400	1.000 EA
034017012AB	LCKW 1/4 STD. PLATED 034017012AF	4.000 EA
405851012AB	SPACE	4.000 EA
032018006AK	HHCS 1/4-20X3/4L PLATED	4.000 EA
034000012AB	WSHR 1/4 STD. PLATED	4.000 EA
034600001AA	BUSH 1/4TO1/8 BLACK	1.000 EA
405851012AB	SPACE	4.000 EA
034017012AB	LCKW 1/4 STD. PLATED 034017012AF	4.000 EA
034600001AA	BUSH 1/4TO1/8 BLACK	1.000 EA
034000012AB	WSHR 1/4 STD. PLATED	4.000 EA

Parts List (continued)		
Part Number	Description	Quantity
032018006AK	HHCS 1/4-20X3/4L PLATED	4.000 EA
089438082A	BRKT 440 089438081WCB	1.000 EA
702611001A	BAFFL 440 SUB PAINT	1.000 EA
032018028EK	HHCS 5/8-11X3-1/2L PLTD	4.000 EA
032018028CK	HHCS 3/8-16X3-1/2 PLTD.	3.000 EA
406056008A	GASKET, TERBD 440	1.000 EA
418150003A	GREASE FITTING CAP	1.000 EA
MG1025Y17	WILKOFAS, 789.701, SUPER E PEARL GOLD	0.500 GA
032018008DK	HHCS 1/2-13X1 PLATED	4.000 EA
048897010DG	PLUG,ODE BRKT - 360	1.000 EA
048977006J	GRFTG - 440	1.000 EA
702616012T	CONDUIT BOX	1.000 EA
035000001A	ALFTG 1/8" 1610-BL	1.000 EA
035000001A	ALFTG 1/8" 1610-BL	1.000 EA
418150003A	GREASE FITTING CAP	1.000 EA
033775004EA	DRSCR #6-1/4 304 S.S.	2.000 EA
034180024HA	KEY 5/8X5/8X3 L	1.000 EA
604797056	400-447 FRAME 60 X 42	1.000 EA
032510026D	CARRIAGE BOLT - 440	2.000 EA
034001014AB	FLAT WASHER 3/8"PLATED	2.000 EA
034001016AB	WSHR .562ID 1.375OD .109	2.000 EA
033300014AC	HEX NUT, SHIPPING - 400	2.000 EA
604799003C	PLASTIC BAG 42X32X46	1.000 EA

REL. S.O.	FRAME	HP	TYPE	PHASE/HERTZ	RPM	VOLTS
449TS	449TS	350	P	3/60	3570	460
AMPS	DUTY	AMB °C/INSUL.	S.F.	NEMA DESIGN	CODE LETTER	ENCL.
380	CONT	40/F	1.15	B	F	ODP
E/S	ROTOR	TEST S.O.	TEST DATE	STATOR RES. @25 °C OHMS (BETWEEN LINES)		
444252	418143016KE	---	---	.0103		

PERFORMANCE

LOAD	HP	AMPERES	RPM	POWER FACTOR %	EFFICIENCY %
NO LOAD	0	83.6	3600	6.42	0
1/4	87.6	122	3593	72.3	93.3
2/4	175	194	3586	88.6	95.5
3/4	262	281	3579	91.2	95.8
4/4	350	380	3571	90.2	95.6
5/4	438	490	3562	87.9	95.2

SPEED TORQUE

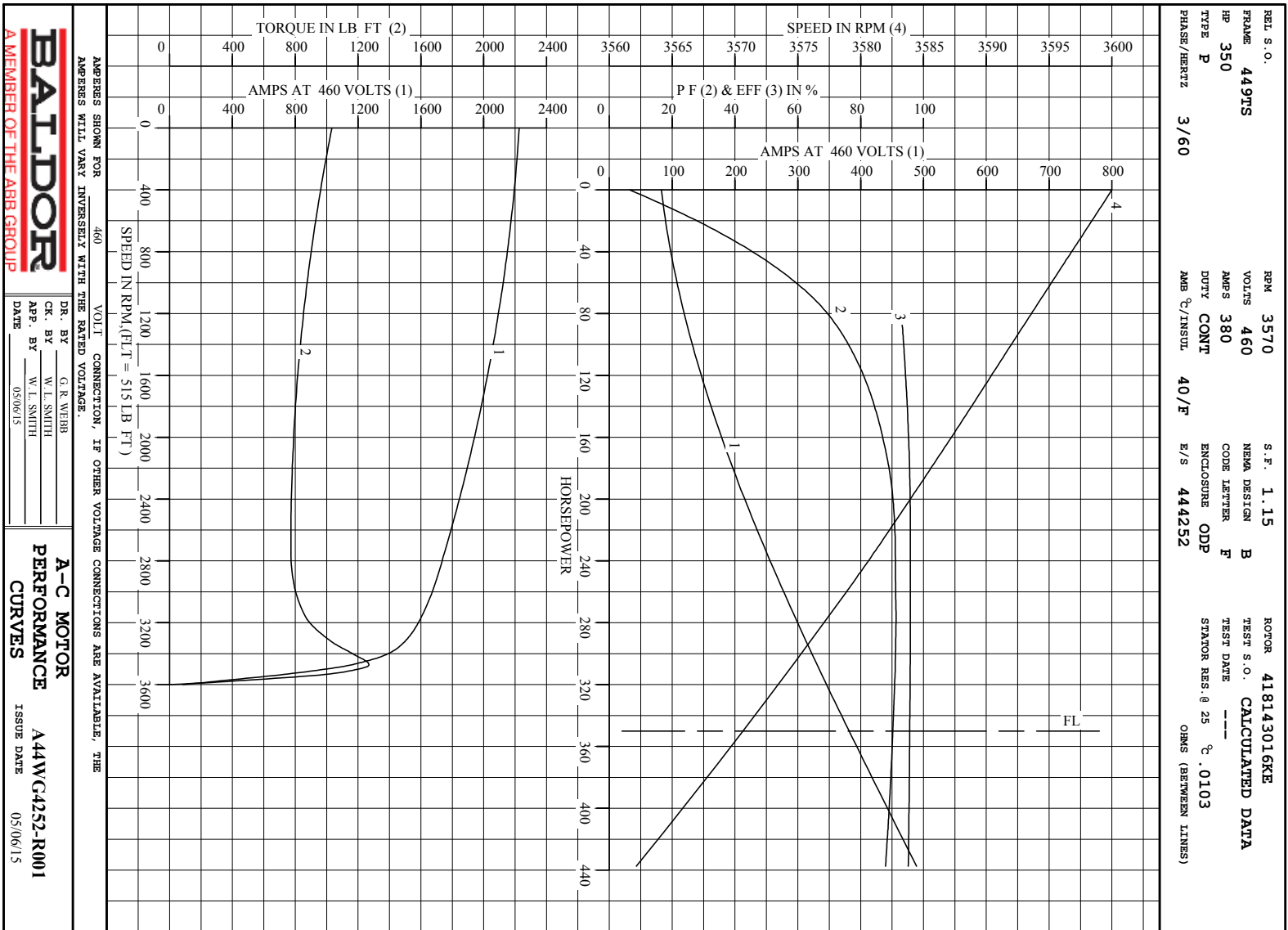
	RPM	TORQUE % FULL LOAD	TORQUE LB.-FT.	AMPERES
LOCKED ROTOR	0	201	1033	2226
PULL UP	2695	150	773	1765
BREAKDOWN	3472	247	1270	1157
FULL LOAD	3571	100	515	380

AMPERES SHOWN FOR 460. VOLT CONNECTION. IF OTHER VOLTAGE CONNECTIONS ARE AVAILABLE, THE AMPERES WILL VARY INVERSELY WITH THE RATED VOLTAGE
 REMARKS : CALCULATED DATA



DR. BY G. R. WEBB
 CK. BY W. I. SMITH
 APP. BY W. I. SMITH
 DATE 05/06/15

A-C MOTOR PERFORMANCE DATA
 A44WG4252-R001
 ISSUE DATE 05/06/15



BALDOR
A MEMBER OF THE ABB GROUP

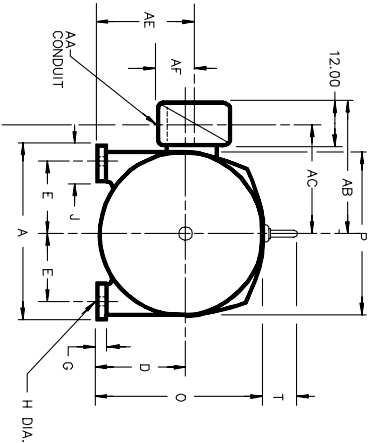
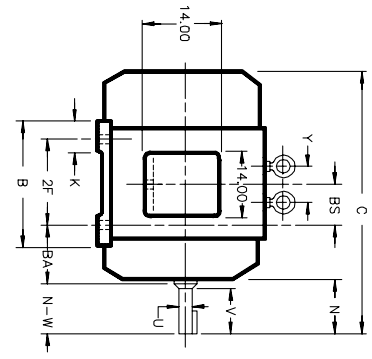
DR. BY G. R. WEBB
 CK. BY W. L. SMITH
 APP. BY W. L. SMITH
 DATE 05/06/15

A-C MOTOR
PERFORMANCE
CURVES
 A44WC4252-R001
 ISSUE DATE 05/06/15

Printed on 5/6/15 10:35 @ zagsun

604989-380

DUTY MASTER ALTERNATING CURRENT MOTORS
 ENCLOSURE: PROTECTED SQUIRREL-CAGE INDUCTION COOLING: SELF-VENTILATED
 TOTALLY ENCLOSED NON-VENTILATED
 MOUNTING: FOOT
 FRAMES 445T THRU 449TS ABOVE NEMA RATINGS
 WITH SPECIAL CONDUIT BOX



DIMENSIONS ARE IN INCHES

FRAME	A	D(2)	E	G	H	J	O	P	BA	K	T	Y (4)
445T	21.00	11.00	9.00	1.12	.81	3.25	23.62	24.25	7.50	3.25	3.25	---
447S	21.00	11.00	9.00	1.12	.81	3.25	23.62	24.25	7.50	3.25	3.25	---
447T	21.00	11.00	9.00	1.12	.81	3.25	24.25	24.25	7.50	3.25	4.25	5.00
447S	21.00	11.00	9.00	1.12	.81	3.25	24.25	24.25	7.50	3.25	4.25	5.00
449T	21.00	11.00	9.00	1.12	.81	3.25	24.25	24.25	7.50	3.25	4.25	5.00
449TS	21.00	11.00	9.00	1.12	.81	3.25	24.25	24.25	7.50	3.25	4.25	5.00

FRAME	C	BS	B	BACK END SHAFT AND KEY	SO.	WT.
445T	39.56	8.25	19.00	2F N N-W U(3) V LGTH. KEY (LBS)	.875	1410
447S	35.81	8.25	19.00	8.94 8.50 3.375 8.25 6.88	.875	1410
447T	43.06	10.00	22.50	8.94 8.50 3.375 8.25 6.88	.875	1750
447S	39.31	10.00	22.50	8.94 8.50 3.375 8.25 6.88	.875	1750
449T	48.06	12.50	27.50	8.94 8.50 3.375 8.25 6.88	.875	2100
449TS	44.31	12.50	27.50	5.19 4.75 2.375 4.50 3.00	.625	2100

FRAME	AA	AB	AC	AF	PROT	AE
445T	4"	24.63	18.63	7.00	12.00	11.00
447S	4"	24.63	18.63	7.00	12.00	11.00
447T	4"	24.63	18.63	7.00	12.00	11.00
447S	4"	24.63	18.63	7.00	12.00	11.00
449T	4"	24.63	18.63	7.00	12.00	11.00
449TS	4"	24.63	18.63	7.00	12.00	11.00

- (1) SPECIAL DIMENSIONS ON THIS LINE
- (2) "D" VARIES +.00, -.06
- (3) "U" & "V" VARY +.00, -.001
- (4) 445 FRAME HAS ONE EYEBOULT CENTERLINE OF FRAME.

CONDUIT BOX LOCATED ON OPPOSITE SIDE WHEN F-2, W-1, W-4, W-5, W-7, OR C-1 MOUNTING IS SPECIFIED. STANDARD DOUBLE SHAFT SUPPLIED ONLY WHEN SPECIFIED. IF MOUNTING CLEARANCE DETAILS ARE REQUIRED CONSULT FACTORY. MAXIMUM PERMISSIBLE SHAFT ROUNDOFF WHEN MEASURED AT END OF STANDARD SHAFT EXTENSION IS .003 T.I.R.

FRAME _____ TYPE _____ CERTIFIED FOR _____
 ORDER _____ ITEM _____ HP _____ RPM _____ HZ _____ VOLTS _____
 SALES ORDER _____ APPROVED BY _____ DATE _____

686-698909

CUSTOMER IS RESPONSIBLE FOR DETERMINING THAT BALDOR'S PRODUCT WILL PERFORM SUITABLY IN THE INTENDED APPLICATION.

REV. DESC: CHANGING TO CORRECT TITLE	VERSION: 02	TDR: 000000752338
REV. LTR: B	REVISED: 01:05:26 06/27/2012	BY: RAGRA
FILE: \RAG\00012\166		
MTL: -		

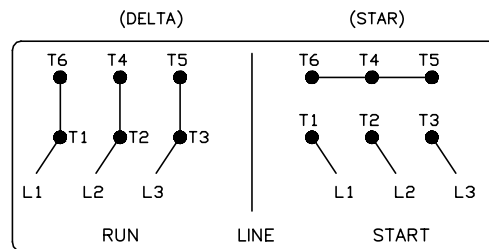
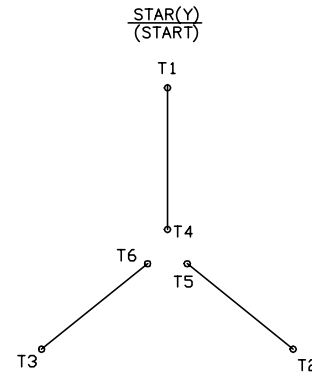
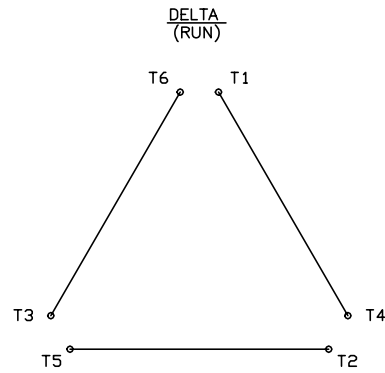
BALDOR
 DIM SHEET PROT 445T-449TS ABV/NEMA - SPCL C/BOX - 14X14X12
 SH 1 of 1

416820-008

A-C MOTOR CONNECTION DIAGRAM

STANDARD 6 LEAD

Y START - DELTA RUN



< N. P. 1767-DC >

416820-008

REV. DESC: ADDED T4 TO Y CONNECT DIAGRAM		
REV. LTR: D	VERSION: 04	TDR: 00000847713
FILE: \RAG\00001\808	REVISED: 10: 41: 26 04/08/2014	BY: RAGJSS1
MTL: -	Ⓢ □	

BALDOR

CONNECT DIAGRAM STD 6 LEAD Y START DELTA RUN

SH 1 of 1

Marketing maintained PDF of MN408:

[MN408?ManNumber=MN408](#)

Marketing maintained PDF of MN416:

[MN416?ManNumber=MN416](#)